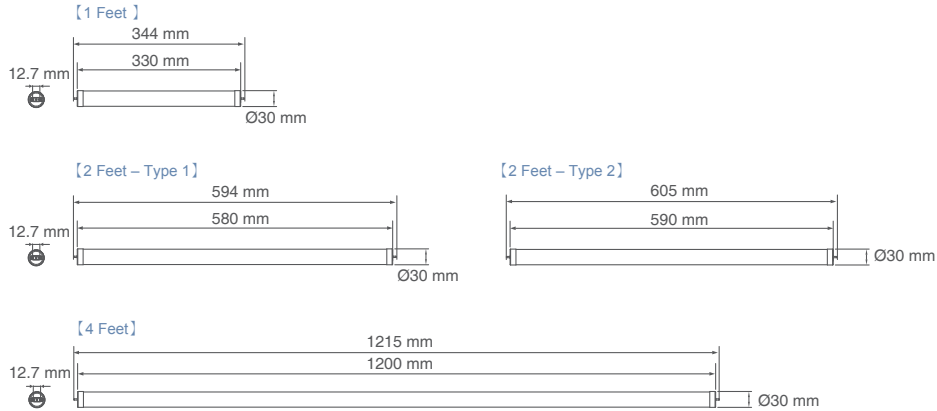


# T8

# Tube Light

## FZL-T8-02 Series

### ► Dimension



### ► Specifications

6W

- Power Consumption (W): 5.7
- **LED: Samsung**
- Input Voltage (V): AC 100 – 240V
- Lifetime (hrs): >35000
- Beam Angle: 120°
- Socket: G13
- Net Weight (kgs): 0.170 (±10%)
- Dimmable: Non-dimmable
- **Housing: Plastic + Aluminum**

Model	FZL-T8-02-WW-06	FZL-T8-02-DW-06	FZL-T8-02-CW-06
CCT (K)	3000	5000	6000
Luminous Flux (lm)	350 (±10%)	400 (±10%)	500 (±10%)
Dimension (mm)	1 Feet: Ø30 X 330		

12W

- Power Consumption (W): 12
- **LED: Samsung**
- Input Voltage (V): AC 100 – 240V
- Lifetime (hrs): >35000
- Beam Angle: 120°
- Socket: G13
- Net Weight (kgs): 0.210 (±10%)
- Dimmable: Non-dimmable
- **Housing: Plastic + Aluminum**

Model	FZL-T8-02-WW-12	FZL-T8-02-DW-12	FZL-T8-02-CW-12
CCT (K)	3000	5000	6000
Luminous Flux (lm)	700 (±10%)	820 (±10%)	1100 (±10%)
Dimension (mm)	2 Feet – Type 1: Ø30 X 580 / 2 Feet – Type 2: Ø30 X 600		

22W

- Power Consumption (W): 22
- **LED: Samsung**
- Input Voltage (V): AC 100 – 240V
- Lifetime (hrs): >35000
- Beam Angle: 120°
- Socket: G13
- Net Weight (kgs): 0.432 (±10%)
- Dimmable: Non-dimmable
- **Housing: Plastic + Aluminum**

Model	FZL-T8-02-WW-22	FZL-T8-02-DW-22	FZL-T8-02-CW-22
CCT (K)	3000	5000	6000
Luminous Flux (lm)	1400 (±10%)	1640 (±10%)	2200 (±10%)
Dimension (mm)	4 Feet: Ø30 X 1198		

