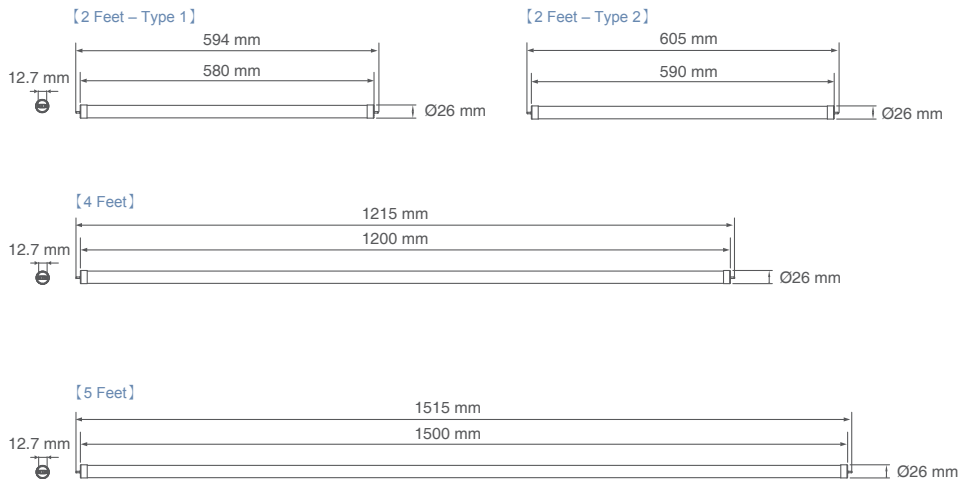


T8

Tube Light

FZL-T8-05 Series

Dimension



Specifications

12W

- Power Consumption (W): 12
- LED: **Liteon**
- Input Voltage (V): AC 100 – 240V
- Lifetime (hrs): >35000
- Beam Angle: 120°
- Socket: G13
- Net Weight (kgs): 0.210 (±10%)
- Dimmable: Non-dimmable

Model	FZL-T8-05-WW-12	FZL-T8-05-NW-12	FZL-T8-05-CW-12
CCT (K)	3000	4000	6000
Luminous Flux (lm)	650 (±10%)	710 (±10%)	850 (±10%)
Dimension (mm)	2 Feet – Type 1: Ø26 X 580 / 2 Feet – Type 2: Ø26 X 600		

22W

- Power Consumption (W): 22
- LED: **Liteon**
- Input Voltage (V): AC 100 – 240V
- Lifetime (hrs): >35000
- Beam Angle: 120°
- Socket: G13
- Net Weight (kgs): 0.432 (±10%)
- Dimmable: Non-dimmable

Model	FZL-T8-05-WW-22	FZL-T8-05-NW-22	FZL-T8-05-CW-22
CCT (K)	3000	4000	6000
Luminous Flux (lm)	1300 (±10%)	1450(±10%)	1700 (±10%)
Dimension (mm)	4 Feet: Ø26 X 1198		

28W

- Power Consumption (W): 28
- LED: **Liteon**
- Input Voltage (V): AC 100 – 240V
- Lifetime (hrs): >35000
- Beam Angle: 120°
- Socket: G13
- Net Weight (kgs): 0.530 (±10%)
- Dimmable: Non-dimmable

Model	FZL-T8-05-WW-28	FZL-T8-05-NW-28	FZL-T8-05-CW-28
CCT (K)	3000	4000	6000
Luminous Flux (lm)	1850 (±10%)	2100 (±10%)	2400 (±10%)
Dimension (mm)	5 Feet – Type 1: Ø26 X 1500		

